

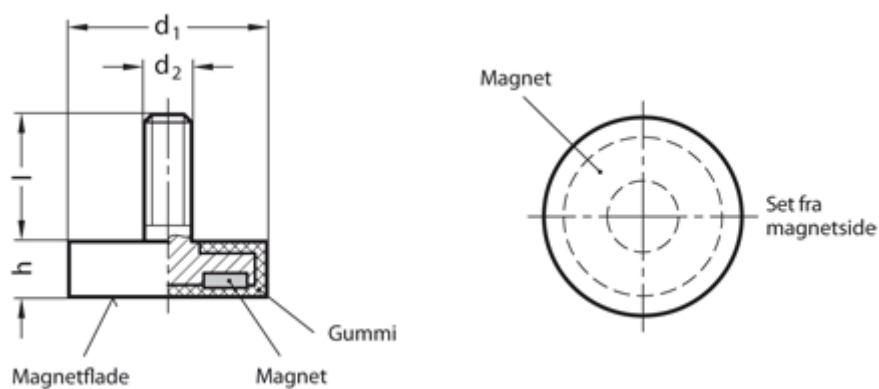
Data Sheet



Article number: 20513ND18M4SW

Description: E+G Magnet - female thread GN 51.3-ND-18-M4-SW
ND Neodym, iron, boron, 80°C, 37N

Measures



d1 = 18

d2 = M4

h = 6

Holding force N = 37

l = 6

Material = ND Neodym, jern, bor - 80° C